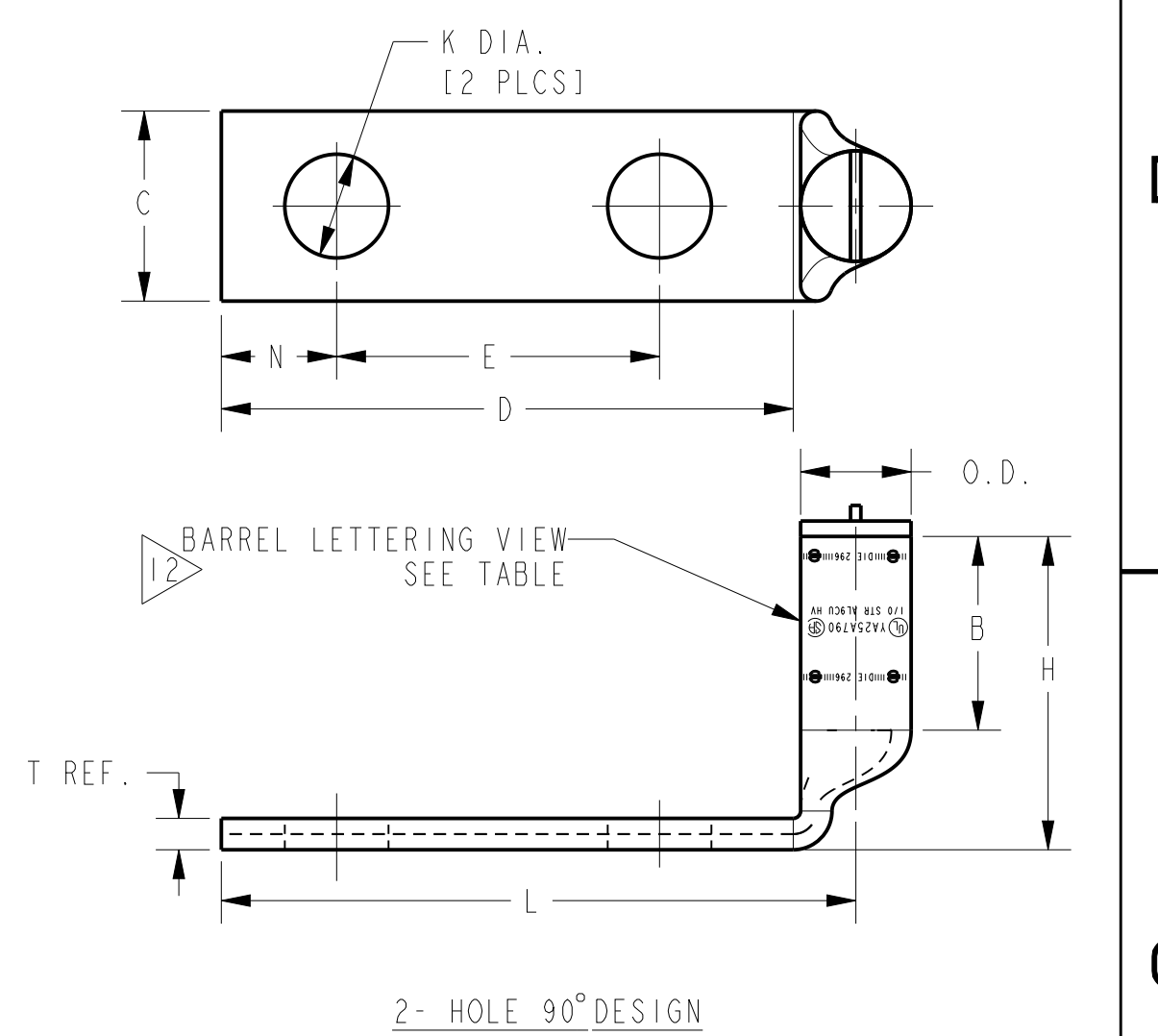
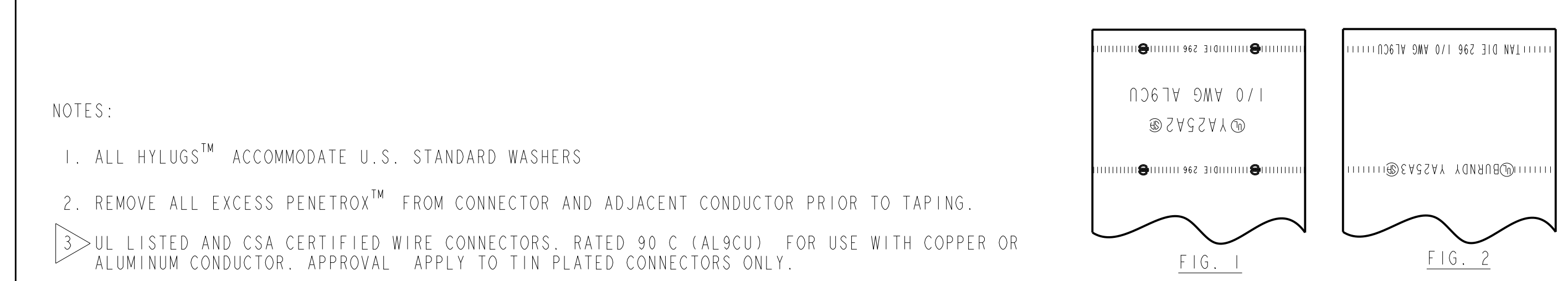
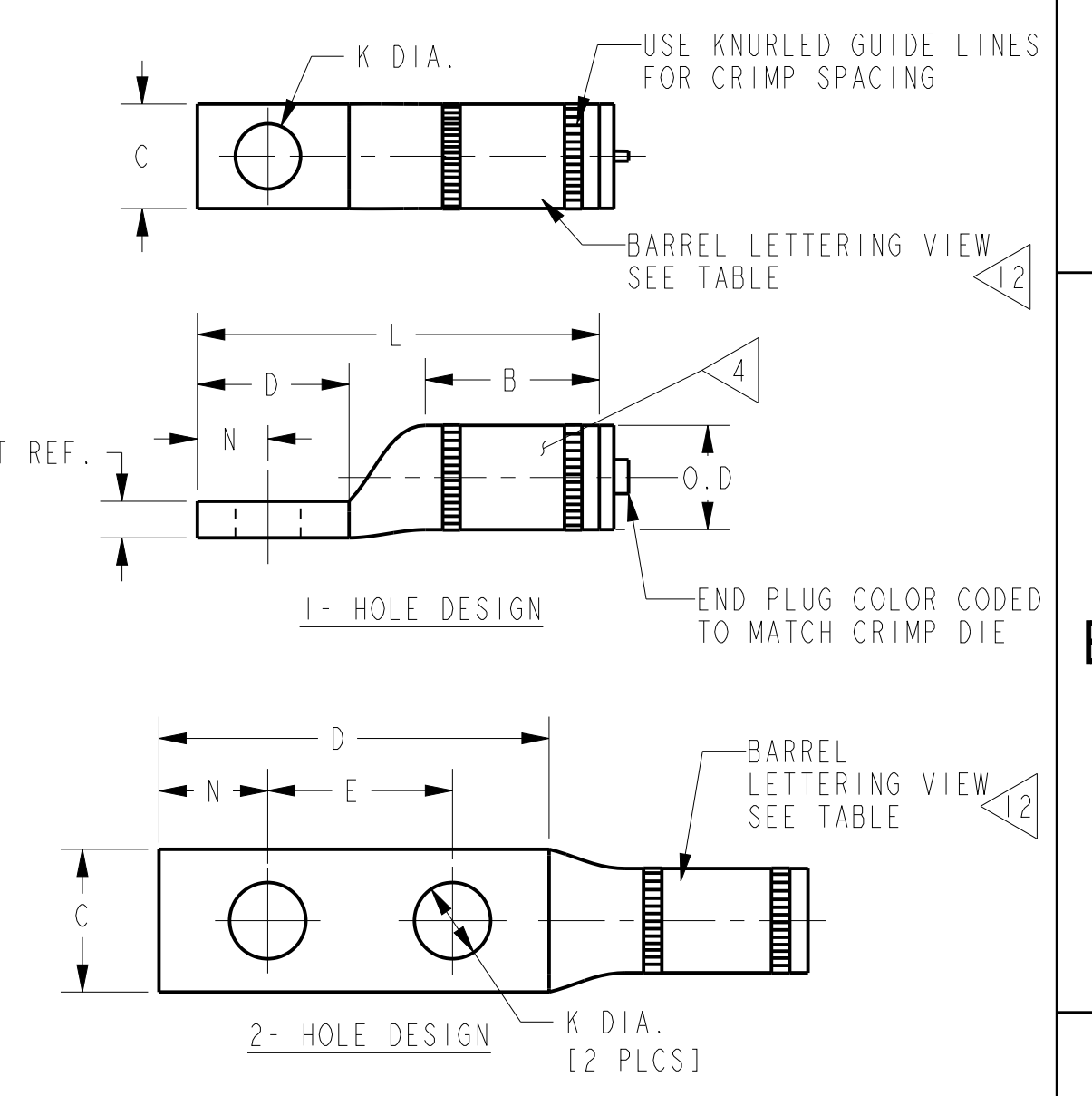


CATALOG NUMBER	CONDUCTOR SIZE		CONNECTOR DIMENSIONS-LINEAR MEASURE IN, [mm] 5											INFORMATION		BARREL LETTERING INFORMATION			
	ALUMINUM	COPPER	STUD SIZE	NO. OF HOLES	B	C	D	E	H	K DIA.	L	N	O.D.	T REF.	PLATING				
YA25A1	1/0 AWG CLASS B CONCENTRIC COMPRESSED COMPACT SIW	1/0 AWG CLASS B,C CONCENTRIC COMPRESSED COMPACT	5/16	1	1.00 [25]	.60 [15]	.87 [22]	--	--	.38 [10]	2.31 [59]	.41 [10]	.60 [15]	.21 [5]	TIN	FIG. 2	3		
YA25A2					1.05 [27]	.82 [21]								2.36 [60]			.21 [5]	NONE	FIG. 1
YA25A3			3/8	1	1.05 [27]	.82 [21]	1.18 [30]	--	--	.44 [11]	2.67 [68]	.63 [16]			.21 [5]	TIN	FIG. 2	3	
YA25A3NT69					.69 [18]											.21 [5]	NONE	FIG. 2	3
YA25A4			3/8	1	1.05 [27]	.82 [21]	1.18 [30]	--	--	.44 [11]	2.67 [68]	.63 [16]			.21 [5]	TIN	FIG. 1	3	
YA25A9			1/2	1	1.05 [27]	1.03 [26]	1.34 [34]	--	--	.56 [14]	2.83 [72]	.63 [16]			.17 [4]	TIN	FIG. 2	3	
YA25A10			--	--	1.00 [25]	.60 [15]	.87 [22]	--	--	--	2.31 [59]	--			.21 [5]	TIN	FIG. 1	3	
YA25A5			3/8	1	1.05 [27]	.82 [21]	2.24 [57]	1.06 [27]	--	--	.44 [11]	3.73 [95]		.63 [16]		.21 [5]	TIN	FIG. 2	3
YA25A6																.21 [5]	NONE	FIG. 1	3
YA25A7			1/2	2	1	1	1.05 [27]	1.03 [26]	3.10 [79]	1.75 [44]	--	.56 [14]		4.59 [117]	.63 [16]	.17 [4]	TIN	FIG. 2	3
YA25A8																	NONE	FIG. 1	3
YA25A790																	TIN	FIG. 2	3



COLOR CODE	BURNDY® INSTALLATION TOOLING (#CRIMPS)										DIELESS (#CRIMPS)		STRIP LENGTH
	DIE INFORMATION		MECHANICAL		HYDRAULIC						MECHANICAL	HYDRAULIC	
	DIE INDEX	TYPE	OUR840	MD6	10 Y34A Y34B	9 Y35, Y39 Y750, PAT750	9 Y46	9 Y45	Y48BH	Y60			
TAN	296 241	TAN DIE SET	X25ART (4) X241 (4)	X25ART (4) W241 (2)	A25AR (1)	U25ART(1) U241 (1)	U25ART(1) U241 (1)	U25ART (1) U241 (1)	C25AR (1) U241 (1)	--	MRC840AL (2) MY29-3 (2)	Y81KFT (2) PAT81KFT (2) Y644 (1) PAT644 (1)	1 3/16"
	296	NEST INDENTOR	--	--	A27D(1) B27D(1) Y34PR-5	--	P27D(1) P34PR-5	--	--	--	--	--	



- NOTES:
- ALL HYLUGS™ ACCOMMODATE U.S. STANDARD WASHERS
  - REMOVE ALL EXCESS PENETROX™ FROM CONNECTOR AND ADJACENT CONDUCTOR PRIOR TO TAPING.
  - UL LISTED AND CSA CERTIFIED WIRE CONNECTORS, RATED 90 C (AL9CU) FOR USE WITH COPPER OR ALUMINUM CONDUCTOR. APPROVAL APPLY TO TIN PLATED CONNECTORS ONLY.
  - CONNECTOR BARRELS PREFILLED WITH PENETROX™
  - DIMENSIONS IN BRACKETS [ ] ARE IN MILLIMETERS ROUNDED OFF TO THE NEAREST MILLIMETER, UNLESS OTHERWISE NOTED, AND ARE FOR REFERENCE ONLY.
  - ADD SUFFIX "DT" TO ORDER LUGS WITH CRIMP BARREL SEALED AIR TIGHT INSIDE THE TRANSITION.
  - CATALOG #PT6515 ADAPTOR IS REQUIRED TO USE "U" DIES IN Y45 SERIES TOOLS.
  - CATALOG #PUADP-1 ADAPTOR IS REQUIRED TO USE "U" DIES IN Y46 SERIES TOOLS.
  - Y35P3 INDENTOR ADAPTOR REQUIRED FOR "Y34PR" TYPE INDENTORS.
  - FOR USE BY CUSTOMERS THAT HAVE THIS HYPRESS™. NO NEW HYPRESSES™ ARE BEING PROCESSED.
  - ADD SUFFIX "U" TO ORDER LUGS WITH UNDRILLED TONGUE.
  - ENLARGED BARREL MARKING VIEW.

UNINSULATED COMPRESSION TERMINAL MATERIAL: ALUMINUM TUBE

HYLUG™			
ITEM NO:	NA		
CAT. NO:	YA25A-(SEE TABLE)		
DRAWN BY:			
CHECKER:			
DSN APPVL:			
MFG APPVL:			
QA APPVL:			
MKT APPVL:			
PROD FAM:	--	DRAWING NO	SD073935
PROJECT #:	--	SIZE	C
DOCUMENT TYPE:	Sales	SCALE:	1:1
REL LEVEL:	Released	REV	AJ
		SHEET	6 OF 24